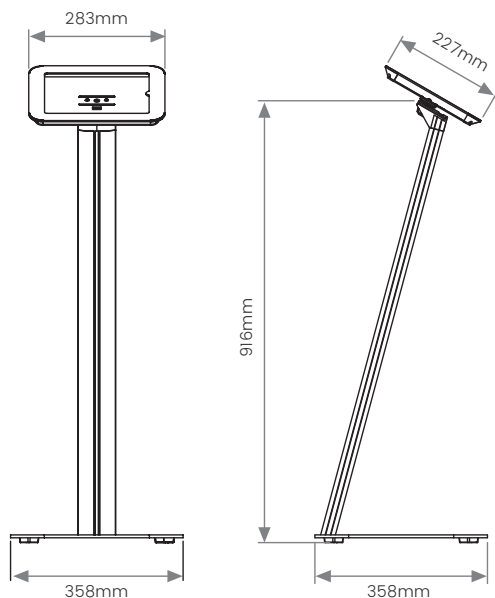


IPAD LECTERN

Ideal for providing interactive content and internet access in retail environments, showrooms and at events/exhibitions.

- Satin aluminium pole with steel base.
- iPad holder rotates 360°, quick and easy to switch between landscape and portrait.
- USB cable can be hidden inside the pole for a clean professional appearance.
- Home button is covered to prevent unwanted interference.
- iPad is locked into place with two security screws (access tool provided).
- White fascia surround as standard (black also available made to order).
- Suitable for 2nd, 3rd and 4th generation iPads (4th generation requires Lightning to 30 pin adapter, available separately).
- Can be assembled with base in opposite direction for another presentation opportunities.



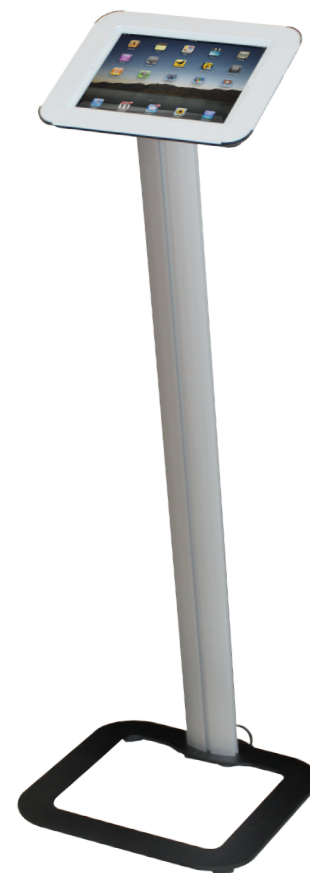
In stock



12 minutes to assemble



Recyclable
Aluminium cover, aluminium pole and steel base



O/A Dimensions (w x h x d mm)	Box Dimensions (mm)	Weight (kg)	Order Code
358 x 989 x 358	300 x 500 x 110	4	IPDSTW



Security fixings lock iPad in place.



Home button covered to prevent tampering.



Can be assembled in the opposite direction for placing under a car wheel.

