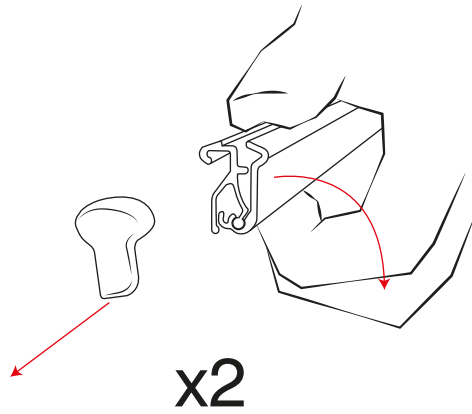


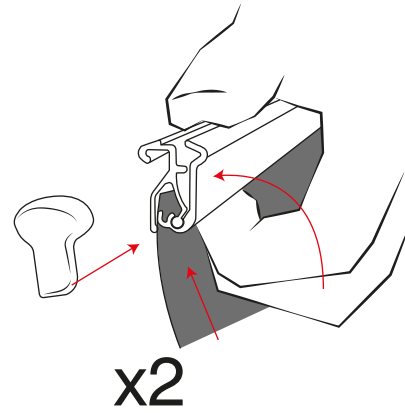
**Instructions**

## Attaching Graphic

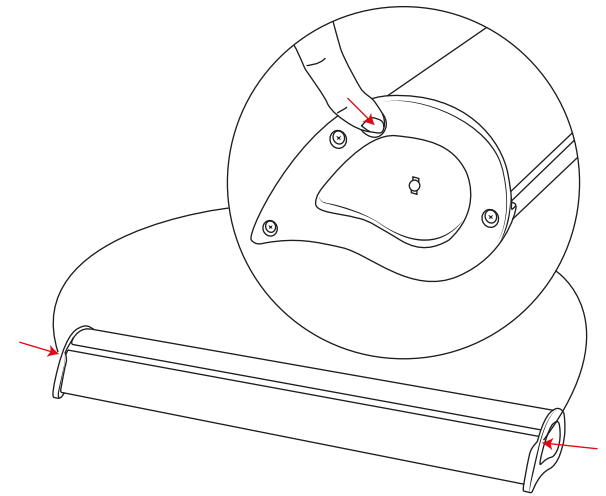
1



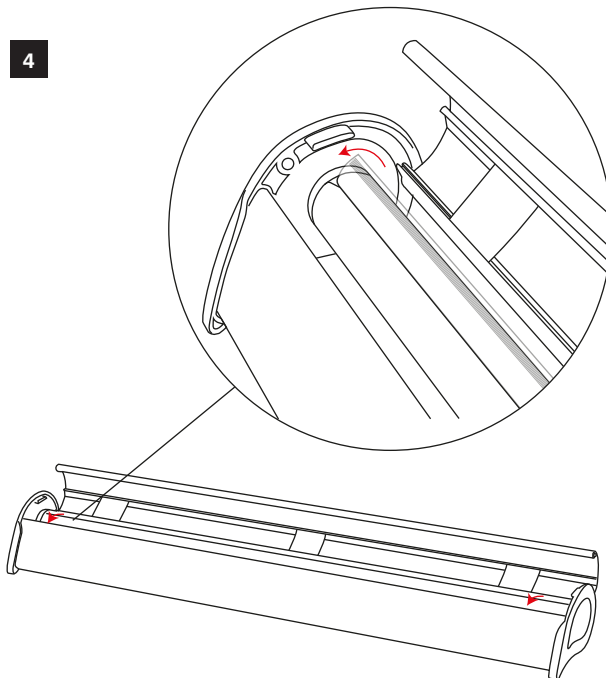
2



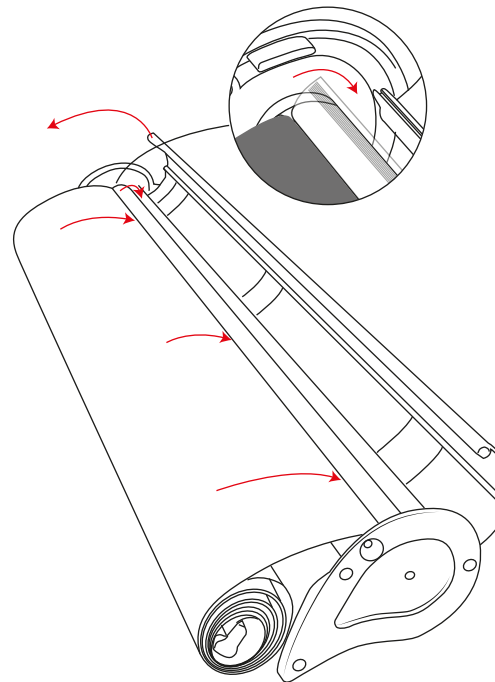
3



4



5



6

