

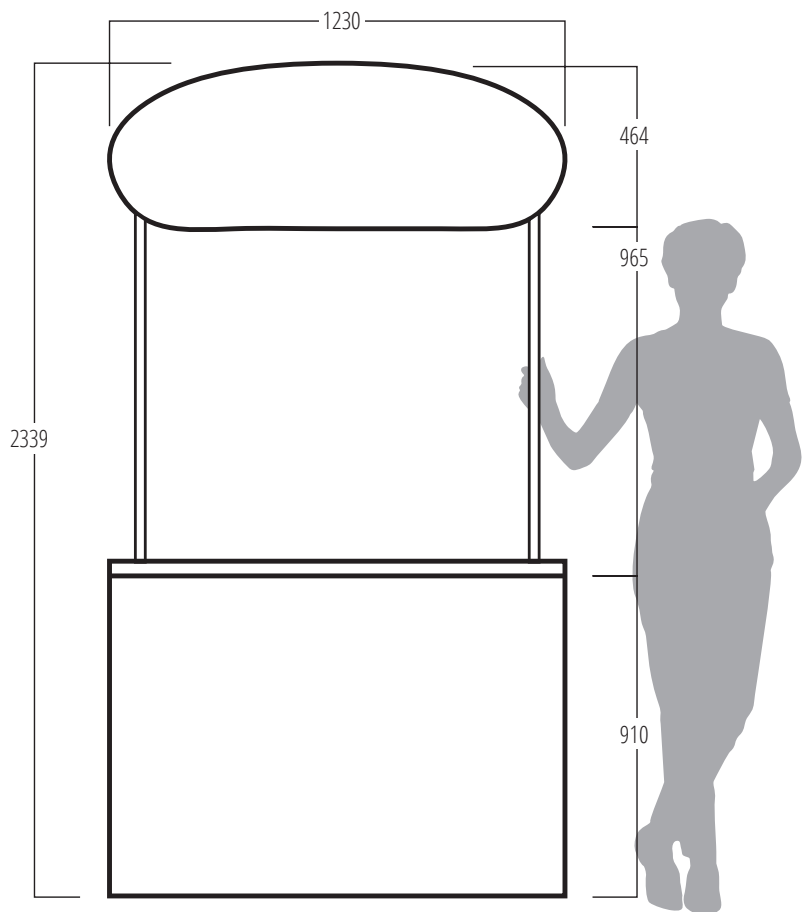
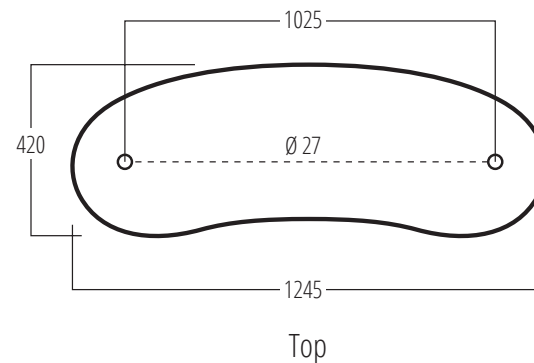
Weights in Kg

Outer Flat Top .....	2.90
Inner Top .....	1.40
Shelf .....	1.66
Bottom .....	1.40
Body Panel .....	3.60
Bag .....	1.33
Graphic Tube .....	0.68
Pole Set (four pieces) S .....	1.16
Header .....	0.80

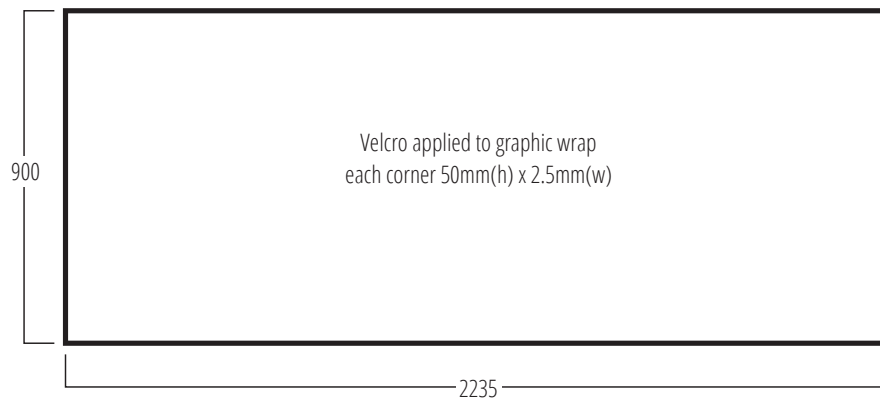
Packaging in Kg

Individual reusable carton ..... 1.45  
 External size: 1265(w) x 630(d) x 130mm(h)

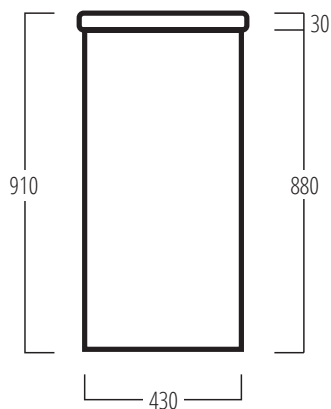
Overall graphic size: 2235(w) x 900mm(h)  
 We believe the best graphic to be used for this product is a Pop Up Display Media paper, thickness 450 Microns, Lamination 80 Microns total graphic thickness 530 Microns



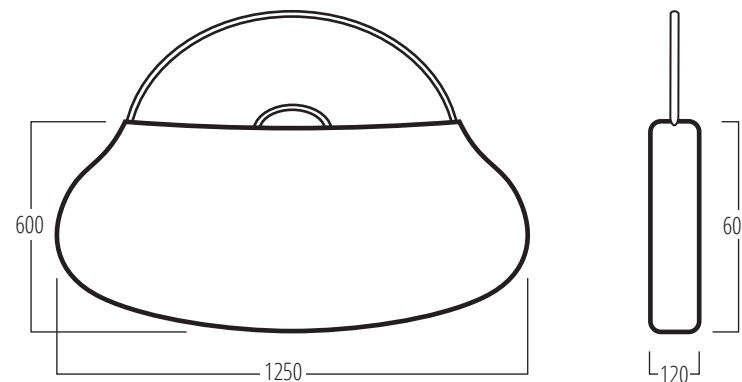
Unit and Header



Graphic Wrap  
 Allow 15mm for top to cover graphic



Side



Carry Bag